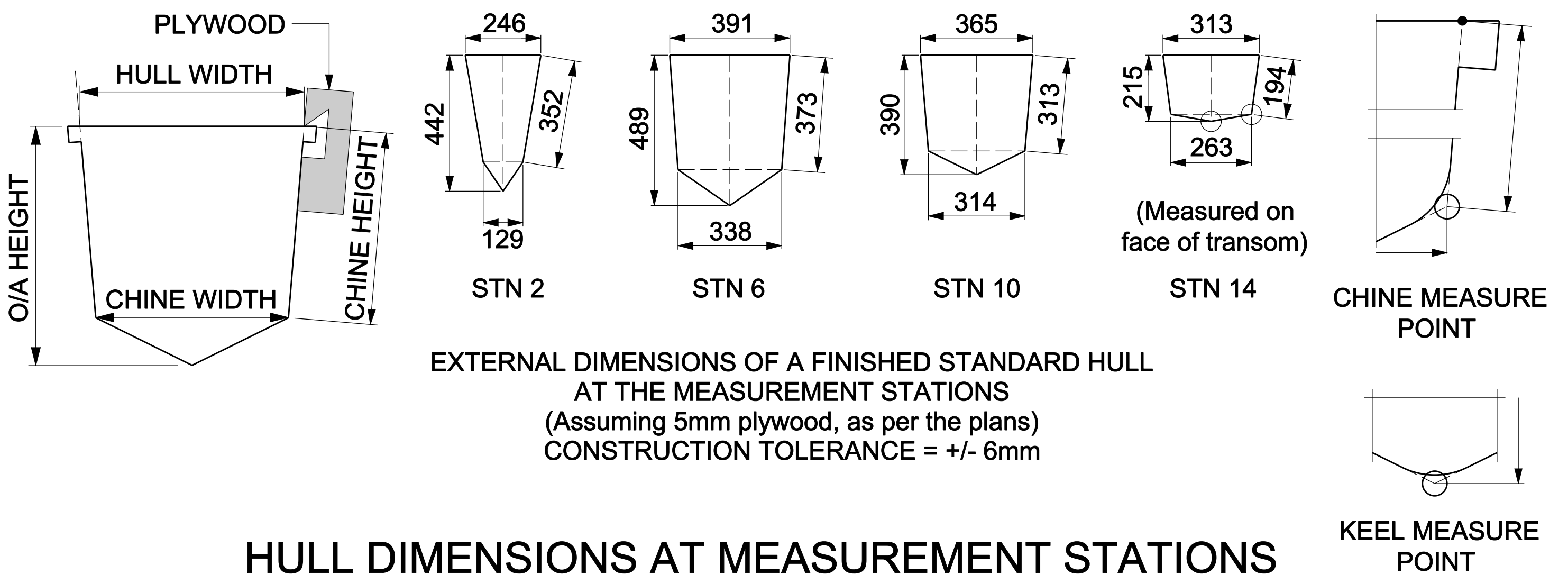
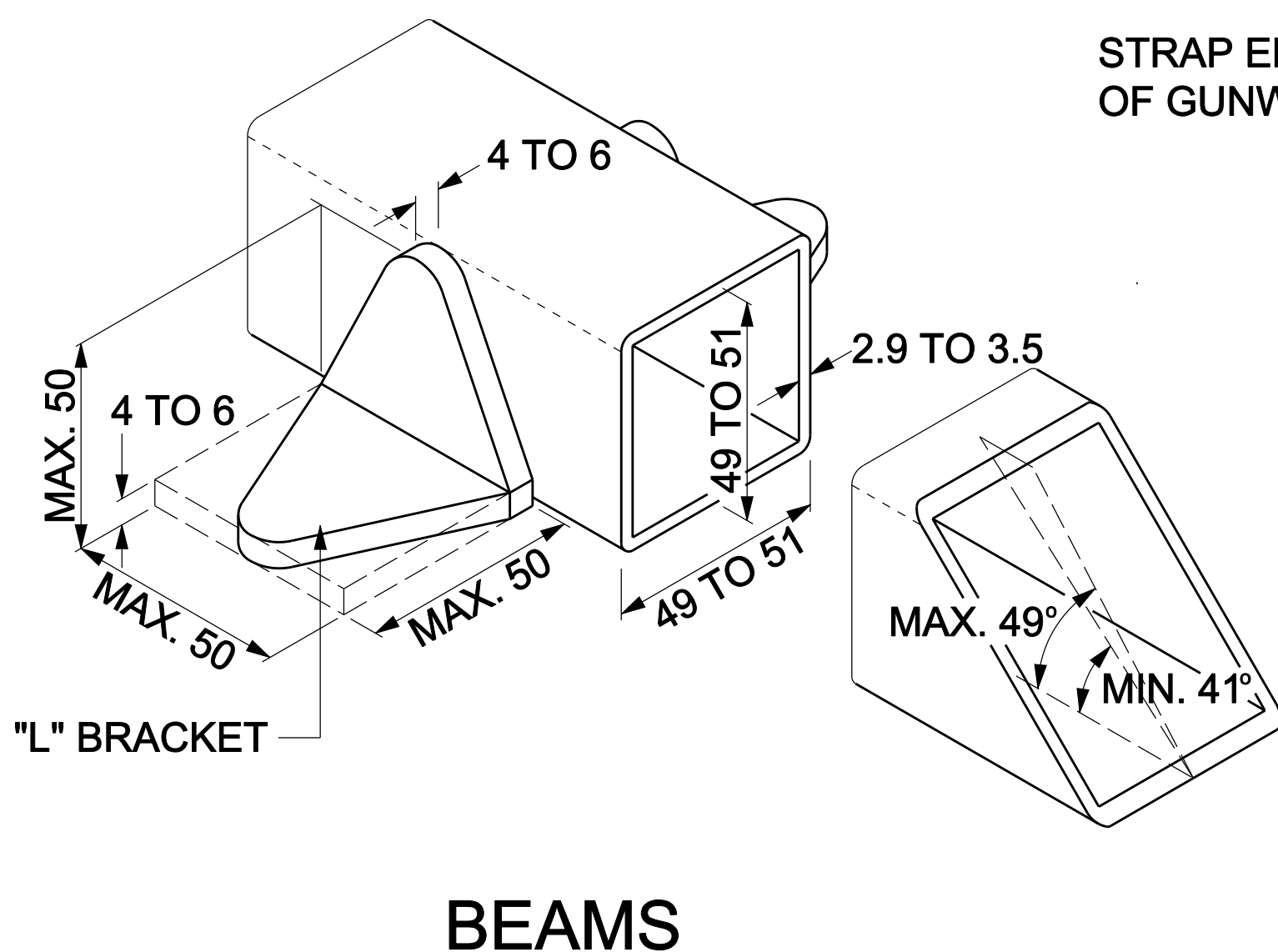


DIMENSIONS SHOWN ARE MEASURED FROM THE TRANSOM ALONG THE DECK CENTRELINE AND KEEL, AND AROUND THE CHINE. THESE POINTS PROVIDE A QUICK POSITIONING FOR THE HULL PROFILE MEASUREMENTS ON A STANDARD HULL. IF THE DIMENSIONS DON'T WORK OUT DUE TO THE HULL BEING MODIFIED, THEN CONTACT THE NATIONAL MEASURER FOR THE STANDARD MEASURING METHOD.

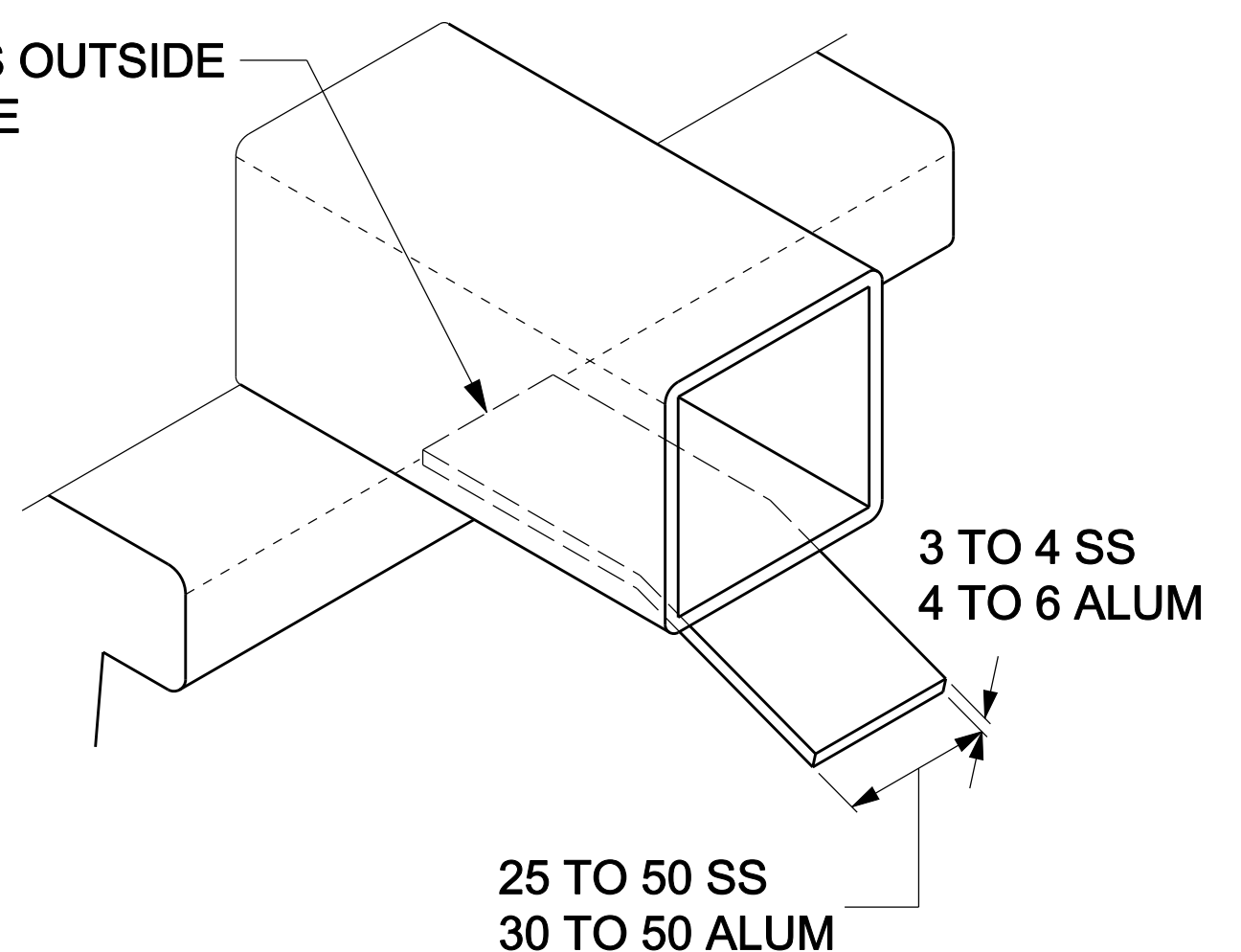


## HULL DIMENSIONS AT MEASUREMENT STATIONS



### BEAMS

STRAP ENDS OUTSIDE OF GUNWALE



### JUMPER STRAP