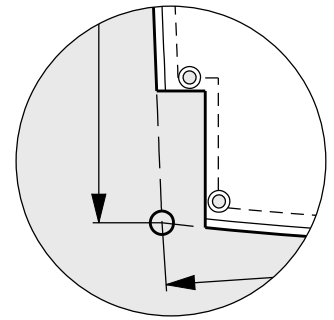
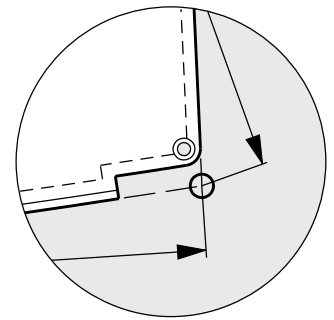


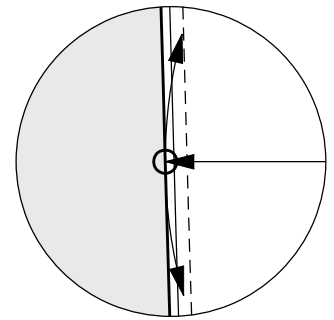
HEAD MEASUREMENT POINT



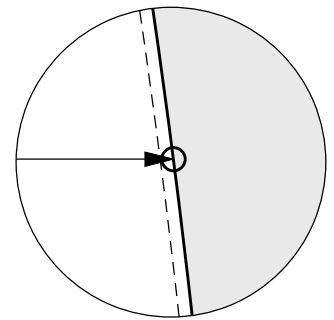
TACK MEASUREMENT POINT



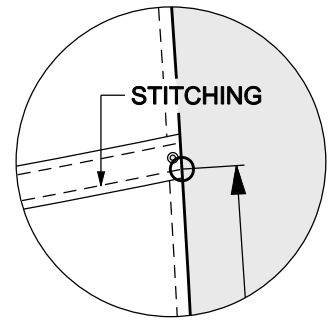
CLEW MEASUREMENT POINT



LUFF MEASUREMENT POINT



LEECH MEASUREMENT POINT



BATTEN MEASUREMENT POINT

SEE NEXT PAGE FOR  
SAIL QUARTERING METHOD

# SAIL MEASUREMENT